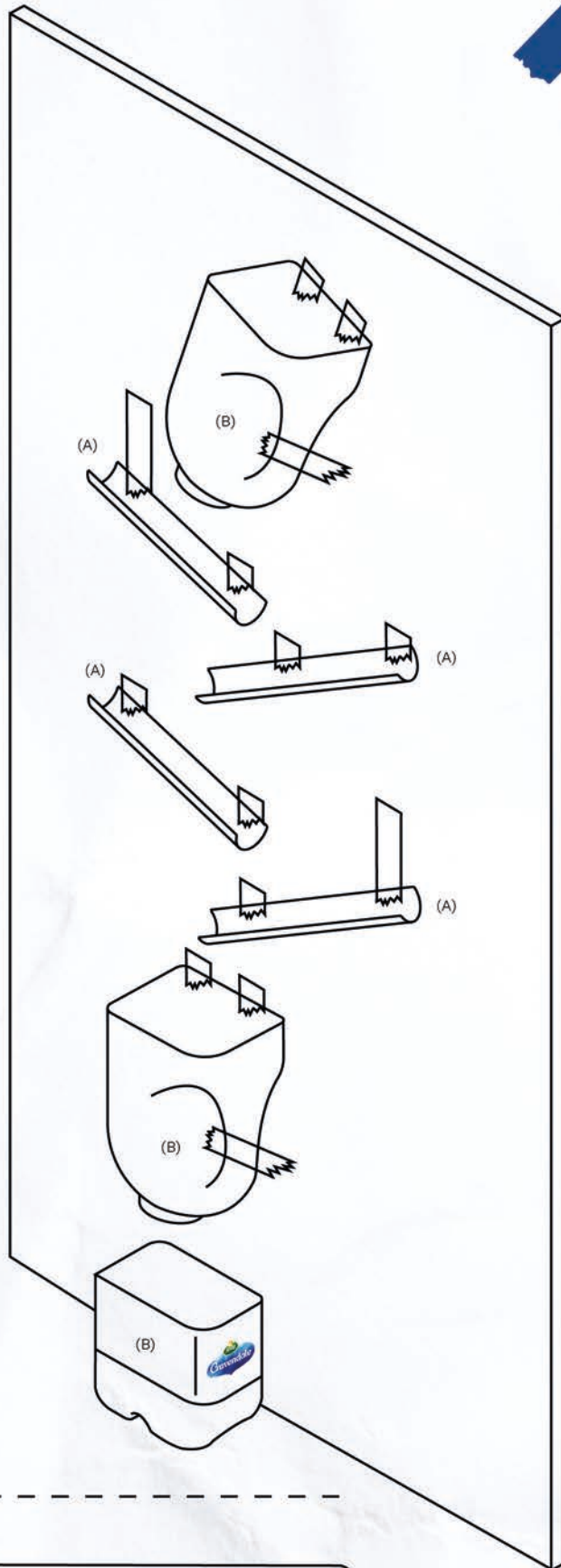






FIG. 2
 USING A WALL TO YOUR
 ADVANTAGE



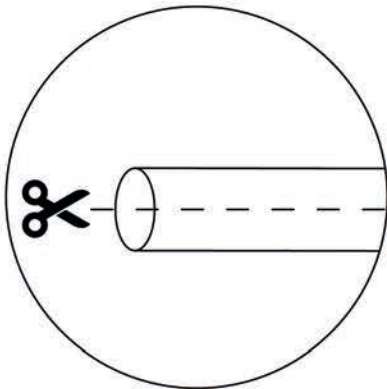
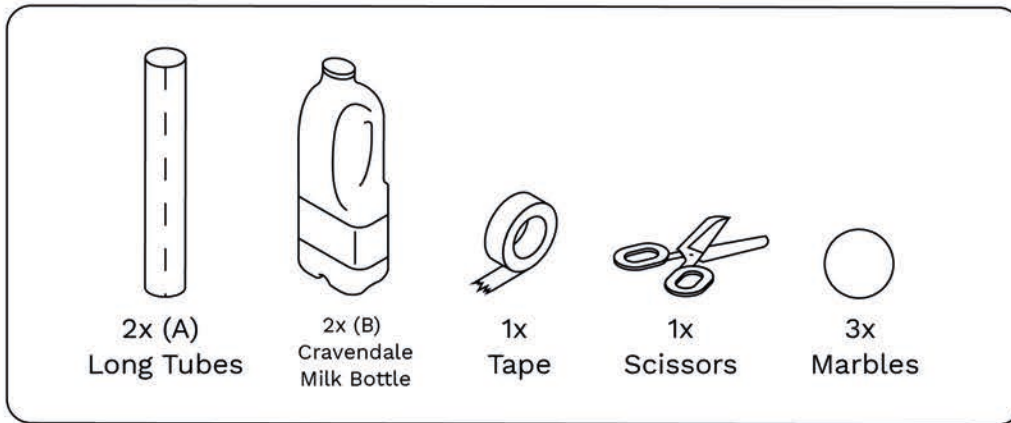
EASY

				
2x (A) Long Tubes	2x (B) Cravendale Milk Bottle	1x Tape	1x Scissors	3x Marbles



EASY

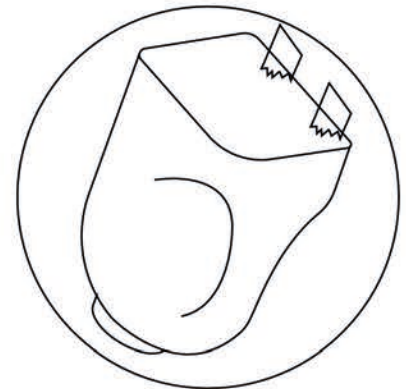
YOU WILL NEED



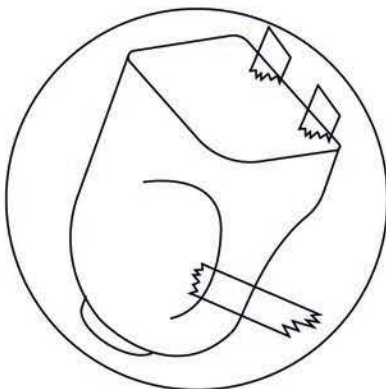
1. Tubes - Cut in half lengthways, Place one inside the other and Secure with tape to make a stable track.



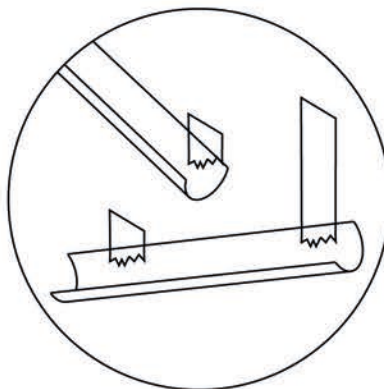
2. Cravendale Milk Bottle - Cut milk bottle in half.



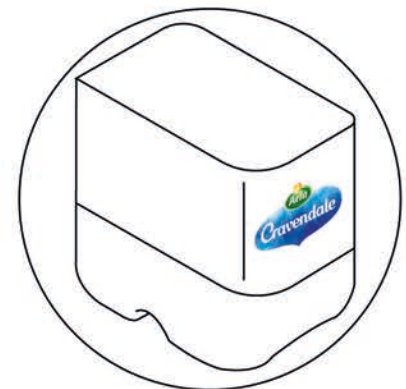
3. Cravendale Milk Bottle - Apply 2 pieces of tape inside of the bottle and secure it to the wall at an angle.



4. Cravendale Milk Bottle - Cut a long piece of tape, Loop through the handle with a long piece of tape to secure the bottle to the wall.



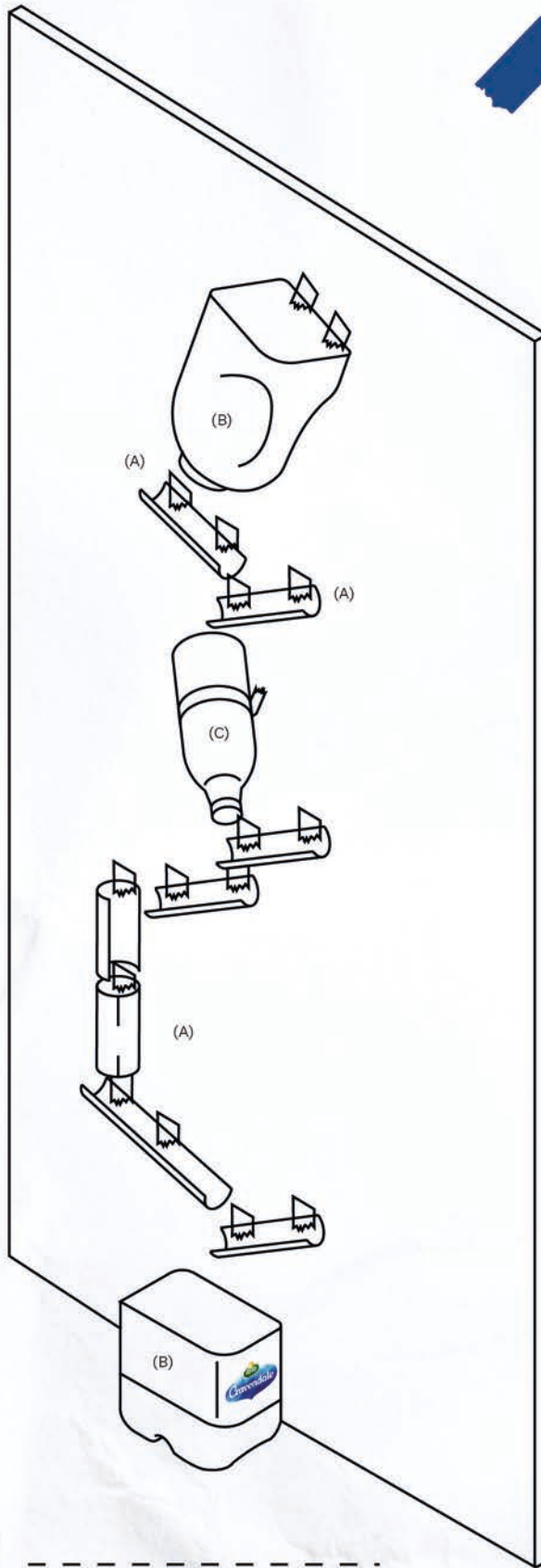
5. Tubes - Arrange the 4 half tubes one below the other on an angle, secure them on the wall with tapes.



6. Cravendale Milk Bottle - Place the bottom half of the bottle on the floor to catch your marble.









FIG. 2
USING A WALL TO YOUR
ADVANTAGE



USE WALL

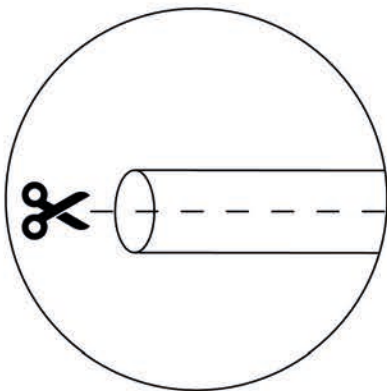
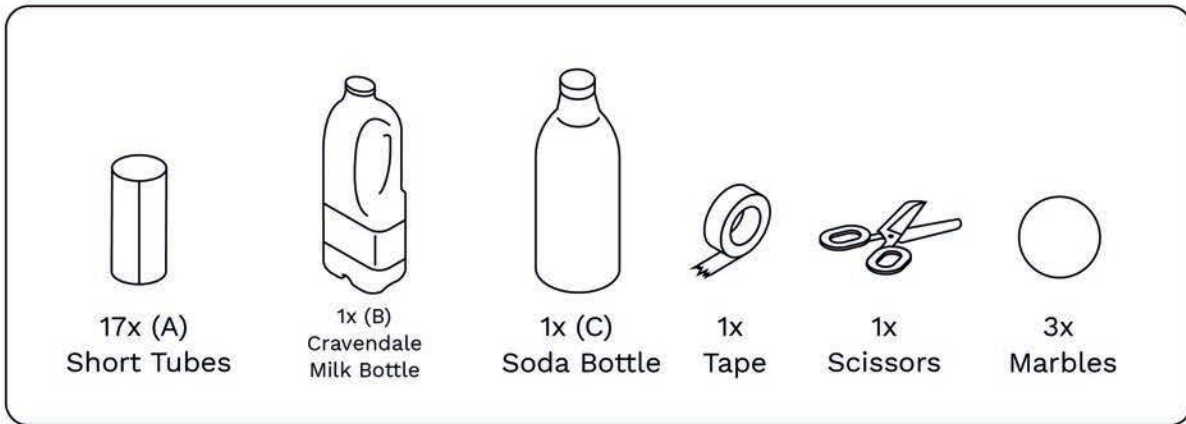
MEDIUM

					
17x (A) Short Tubes	1x (B) Cravendale Milk Bottle	1x (C) Soda Bottle	1x Tape	1x Scissors	3x Marbles



MEDIUM

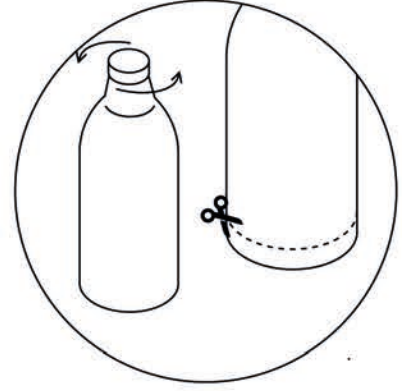
YOU WILL NEED



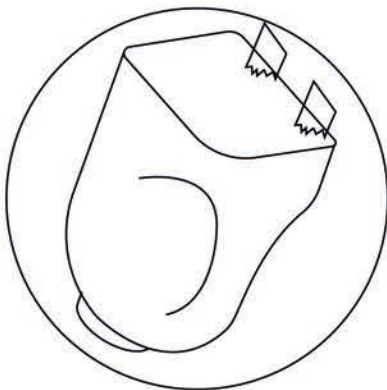
1. Short Tubes - Cut 6 short tube in half lengthways, place on inside another, secure with tape to make a stable slope. Do the same for the long tube.



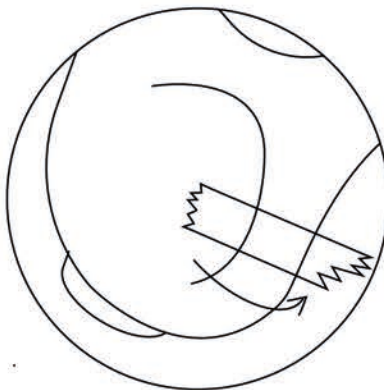
2. Cravendale Milk Bottle - Remove the lid, Cut off the bottom half of the bottle.



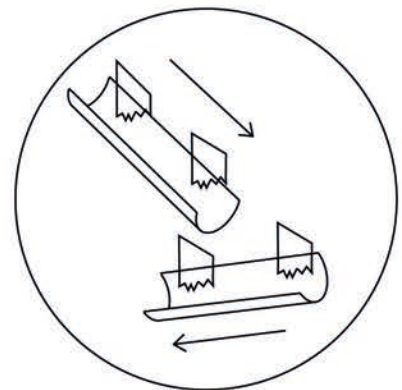
3. Soda Bottle - Remove the lid, Cut off the bottom half of the bottle.



4. Cravendale Milk Bottle - Apply 2 pieces of tape to the inside of the bottle and secure it to the wall at an angle.

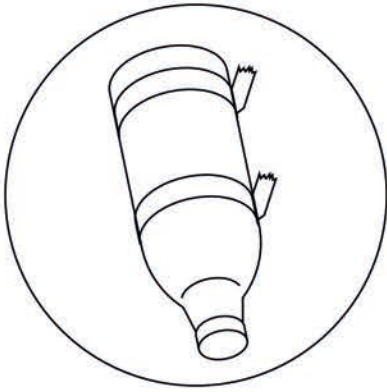


5. Cravendale Milk Bottle - Cut a long piece of tape, Loop through the handle with a long piece of tape to secure the bottle to the wall.

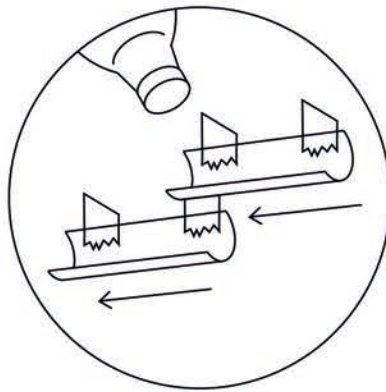


6. Short Tubes - Arrange the 2 of the tubes one below the other on an angle facing opposite ways, secure them on the wall with tapes.

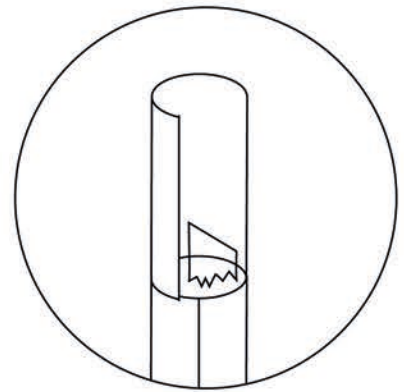




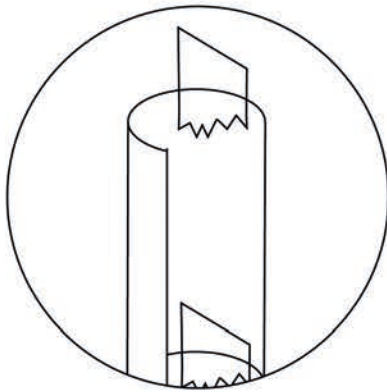
7. Pop Bottle - Use 2 pieces of tape loop around the bottle and secure it on to the wall at a downward angle, below the existing track. Make sure the bottom of the bottle is aligned with it to catch the marble when it falls.



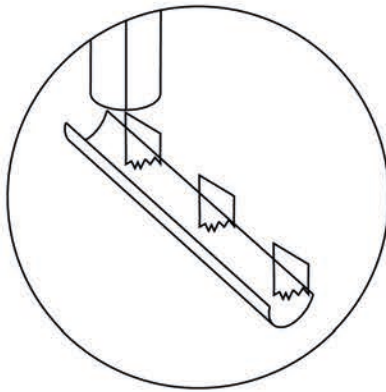
8. Short Tubes - Add 2 tracks under the bottle at the angle shown in the above image.



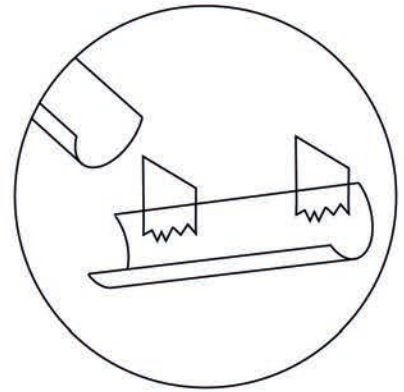
9. Short Tubes - Place one of the half tube to the side of the last short tube to create a shield on one side, secure it with tape.



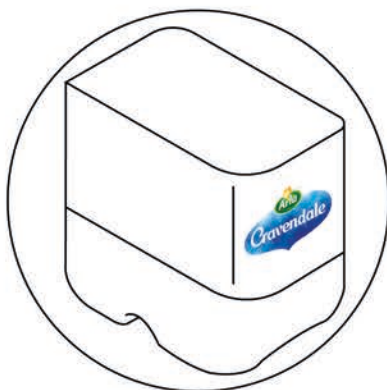
10. Short & half Tube - Apply this on the wall, going down ways with the shield on the left side.



11. Long half Tube - Add the long half tube below shown in the above image.

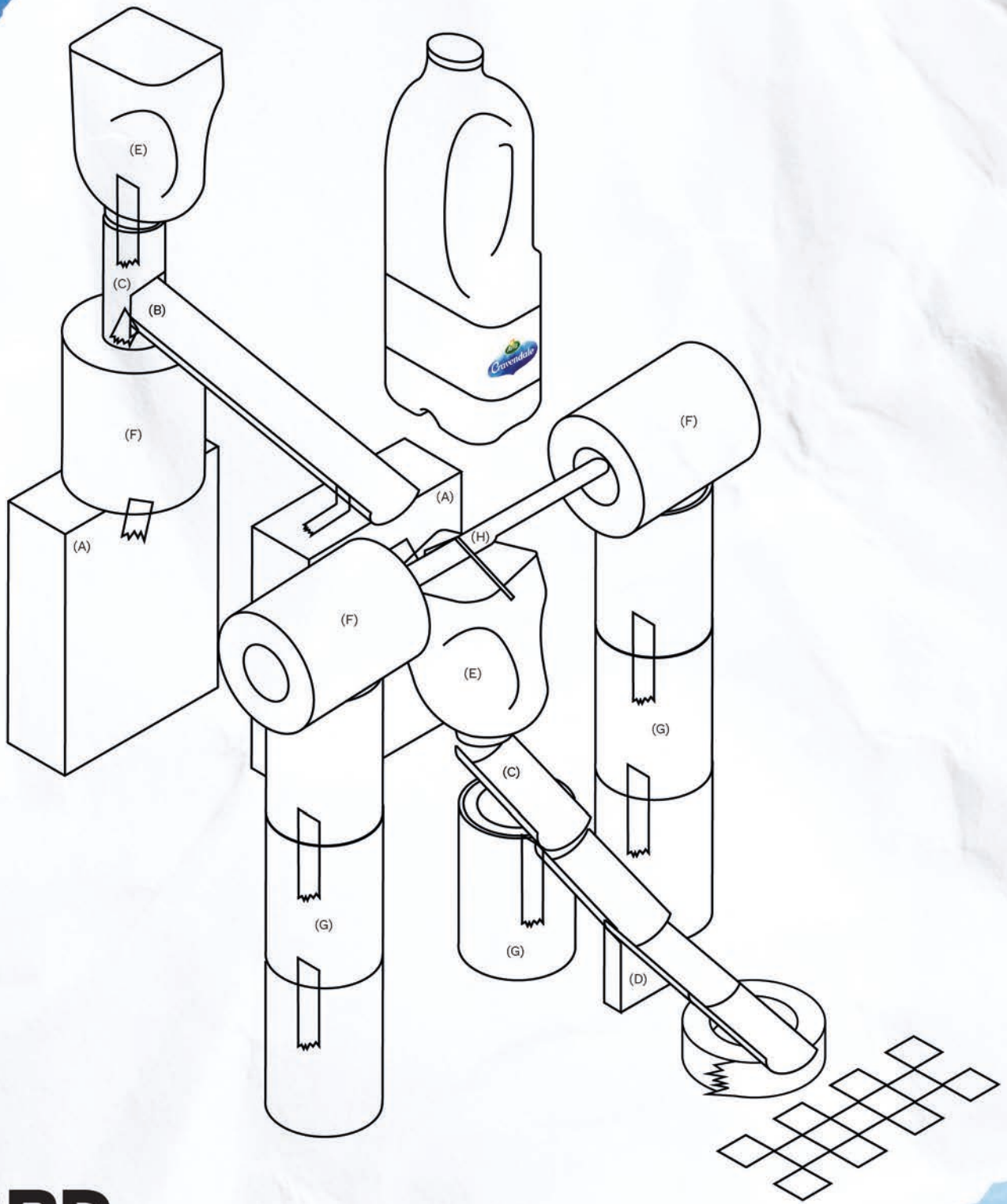


12. Short half tube - Secure the final short half tube on an angle below the long track one the wall with tapes.

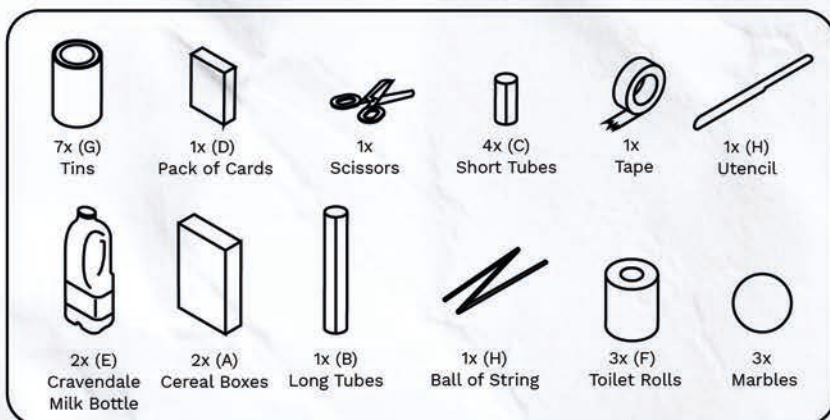


13. Cravendale Milk Bottle - Place the bottom half of the milk bottle down on the floor under the track.



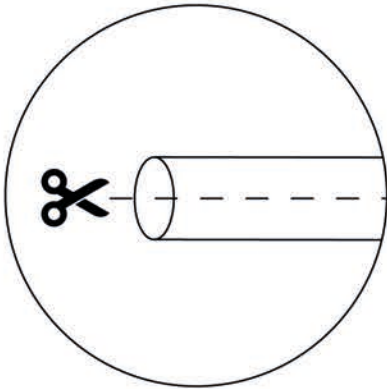
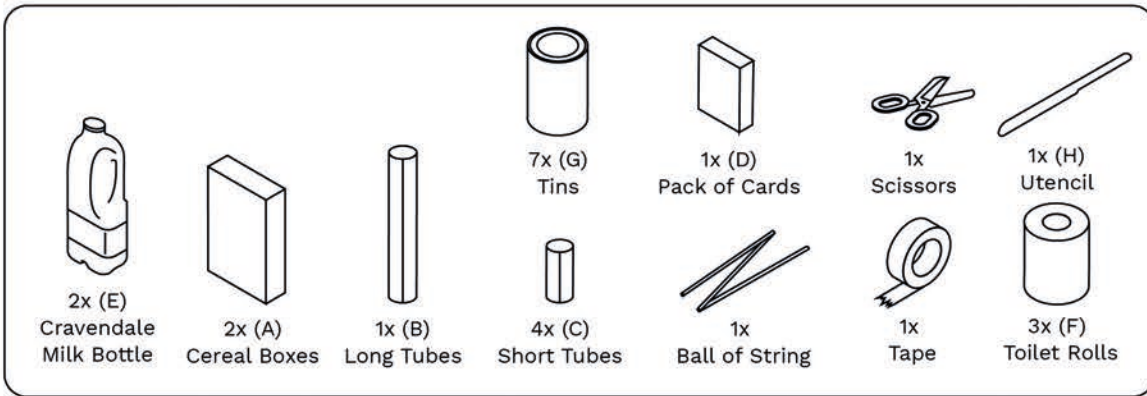


HARD

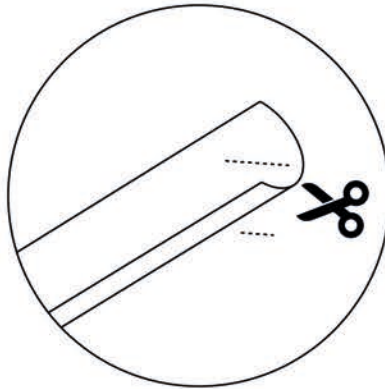


HARD

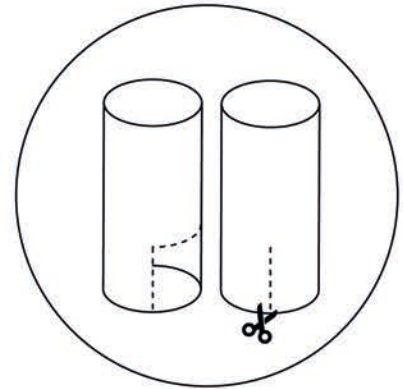
YOU WILL NEED



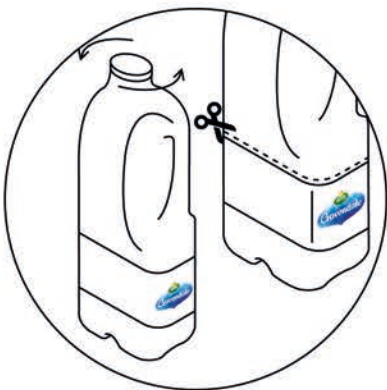
1. Tracks (long/short) -Cut 3 short tube in half lengthways, place on inside another, secure with tape to make a stable slope. Do the same for the long tube.



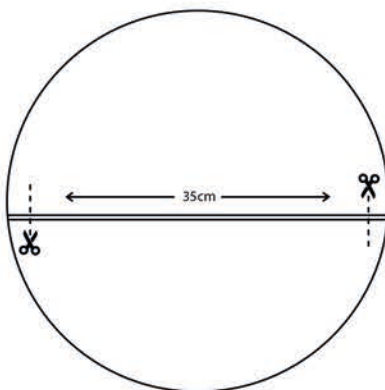
2. Long Tube (Long Track - cut both corners off one end of the long tube.



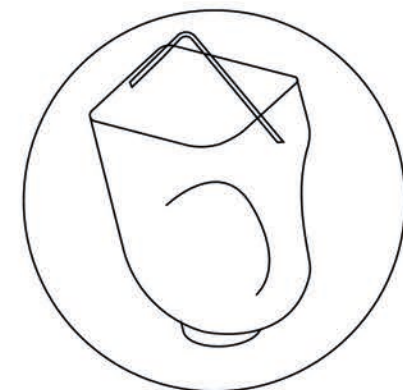
3. Vertical Tunnel (2) - Cut a 6cm high opening on one side of the remaining tube(big enough to fit a half tube(big enough to fit a half tube horizontally). Cut a 1.5cm slit on the back of the tube.



5. Cravendale Milk Bottle Funnel 1 & 2- Remove the lids, Cut the bottom halves off the bottles.

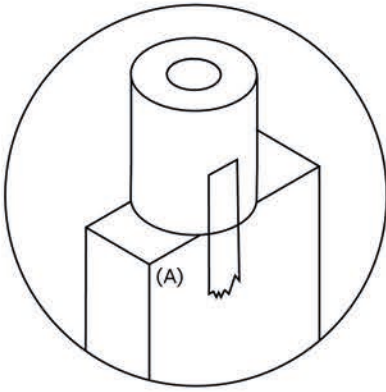


6. Handle - Cut a 35 CM piece of string.

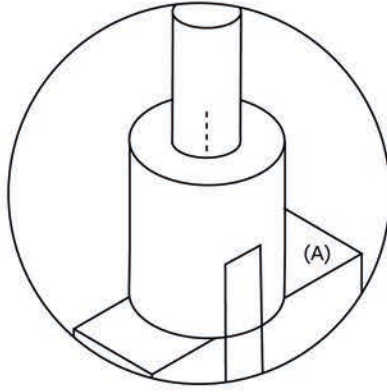


7. Cravendale Milk Bottle Funnel 2 - Using Scissors carefully pierce a hole in the back and the front side of the bottle 2 cm below the open edge. Thread the string through the holes in the milk bottle to create a handle.

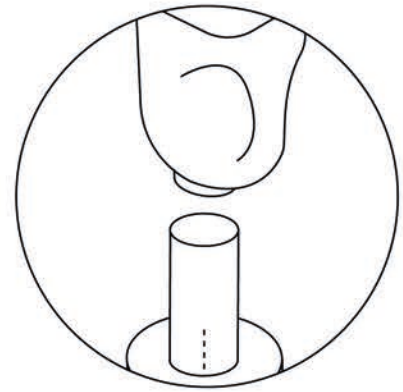




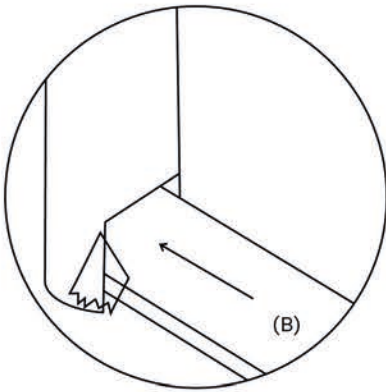
8. Back Support Pt.1 - Place one roll of toilet paper on top of the cereal box and secure with tape.



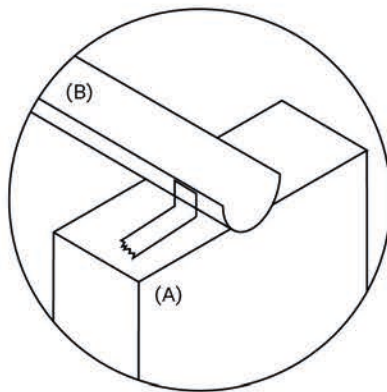
9. Back Support pt.2 - Pinch the slit at the back of the vertical tunnel and squeeze it to fit into the toilet roll.



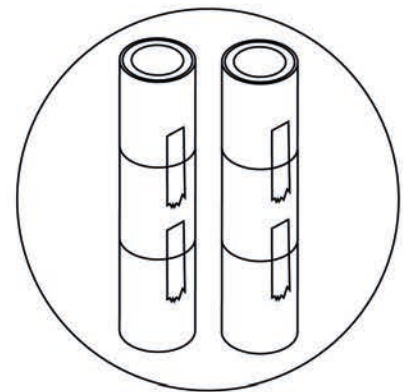
10. Cravendale Milk Bottle Starting Point - Connect the vertical tunnel to the mouth of the funnel 1 (the one without string). Secure with tape.



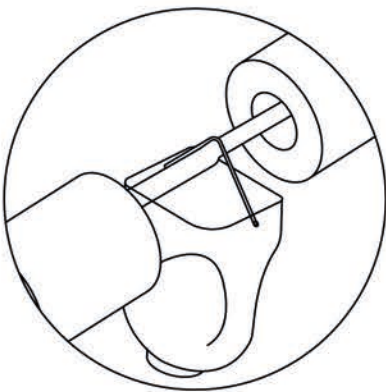
11. Track 1 - Insert the long tube (with the cut corner end) in the opening of the vertical tunnel, make sure to push it all the way to the end, angle slightly and secure with tape.



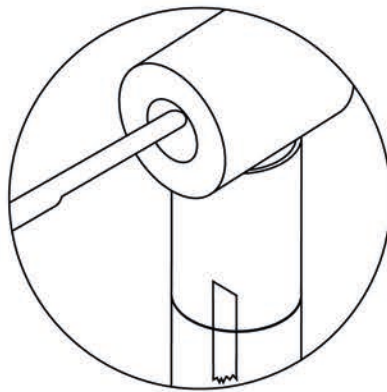
12. Long Track Support - Left free end of the long track up with the remaining cereal box, leave some space at the end of the track.



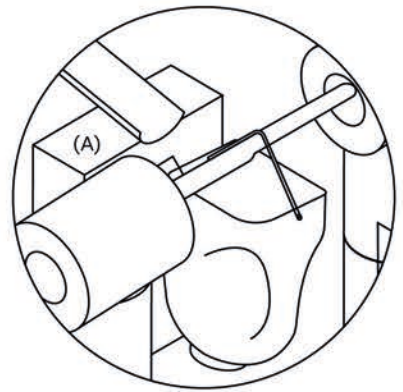
12. Funnel 2 Support pt. 1. - Stack 2 sets of 3 tins, Secure with tape.



13. Cravendale Milk Bottle Funnel 2 Bridge - Place one toilet roll on one end, Then hang the milk bottle with string, then the final toilet roll.

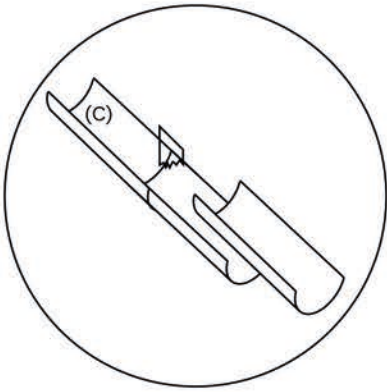


14. Funnel 2 support pt.2 - Balance the bridge on the 2 tin towers, the funnel handle should be facing to the right.

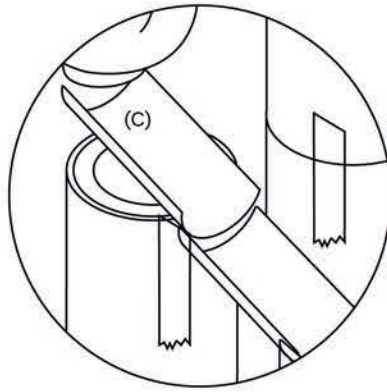


15. Cravendale Milk Bottle Funnel Connection pt.1 - Carefully move the funnel 2 structure next to the end of the long track. Make sure the tunnel is aligned with the opening of the funnel 2. Adjust the string on the funnel or the position if necessary.

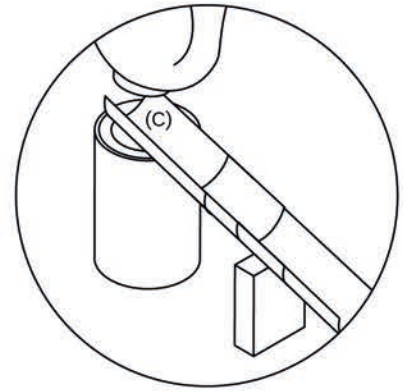




16. Track 2 - Attach the rest of the small tracks together as shown above.



17. Track 2 Support pt.1- Place the last tin under Funnel 2, attach one end of the track on the tin, align with the funnel mouth.



18. Track 2 Support pt.2 - Place pack of cards under the centre of the track to make it stabilize.